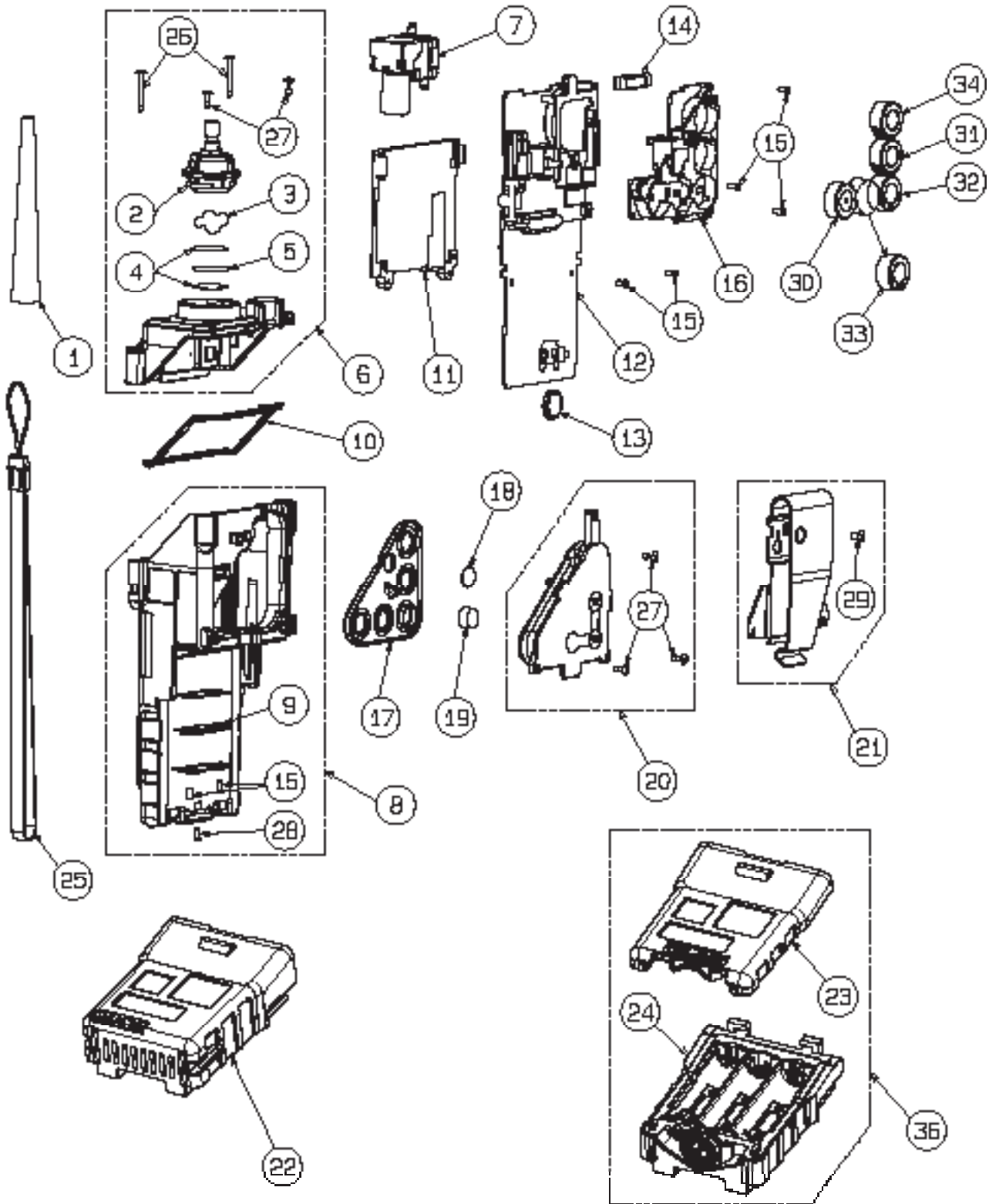




GX-2012 Spare Parts For CSA

	Part #	Description
1.	17-1001RK	Tapered rubber inlet nozzle, 4", RP-6 / GX-2003 / GX-2012 / Gas Tracer
2.	21-1833RK	Filter holder, clear plastic, GX-2003
3.	33-1031RK	Cotton balls, filters for probe, bag of 25
4.	33-0159RK	Teflon filter disc, 10 pieces, RP-6 / GX-2003
5.	33-1112RK	Wire mesh disk filter, RP-6 / GX-2003 / GX-2012, 10 pack
6.	21-1890RK	Top cover assembly, GX-2012 / Gas Tracer
7.	30-0022RK	Pump replacement for GX-2012 and RP-2009, with cable and connector
8.	21-1889RK	Main case assembly, GX-2012
9.	07-6024RK	Battery pack gasket, GX-2012 / Gas Tracer
10.	07-6025RK	Main case gasket, GX-2012 / Gas Tracer
11.	51-1125RK	LCD display, GX-2012 / Gas Tracer
12.	57-2043RK	CPU PC board assembly, GX-2012
13.	49-1406RK	Battery, lithium, CR 1220, for main PCB, GX-2012 / Gas Tracer
14.	30-1053RK	Vibration motor, GX-2003 / GX-2012 / Gas Tracer
15.	10-1090RK	Tap tight screw M2x4.5 mm, phillips self-tapping
16.	57-2041RK	Sensor PC board assembly, GX-2012
17.	07-6026RK	Sensor gasket, GX-2012 / Gas Tracer
18.	33-7114RK	Filter disk, H2S scrubber, 5 pack, for combustible diffusion port
19.	33-7102RK	Filter, charcoal, for CO sensor, pack of 5 GX-2009 / GX-2012 / Gas Tracer / GX-2001
20.	21-1892RK	Sensor cap assembly, GX-2012
21.	13-0118RK	Belt clip, GX-2012 / Gas Tracer
22.	49-1615RK	Batter pack, lithium ion, GX-2012 / Gas Tracer
23.	49-1616RK-01	Alkaline Battery pack cover with gasket, GX-2012 / Gas Tracer
24.	49-1616RK-02	Alkaline Battery pack without cover with gasket, GX-2012 / Gas Tracer
25.	13-0112RK	Wrist strap
26.	10-1108RK	Screw M2 x 16
27.	10-1093RK	Screw M2 x 6 SUS304
28.	10-1091RK	Screw M2 x 5 SUS
29.	10-1092RK	Truss screw M2 x 5
30.	OS-BM2	O2 sensor OS-BM2
31.	NC-6264B	LEL sensor
32.	ES-1821	CO sensor ES-1821
33.	ES-1827I	H2S sensor ES-1827i
34.	TE-7561	VOL sensor TE-7561
35.	SH-8641	PPM sensor SH-8641, Gas Tracer
36.	49-1616RK	Alkaline Battery pack without batteries with gasket, GX-2012 / Gas Tracer

GX-2012 Spare Parts For CSA



10000363



ISO 9001

Toll Free: (800) 754-5165 • Phone: (510) 441-5656
Fax: (510) 441-5650 • www.rkiinstruments.com